

**UNO41**



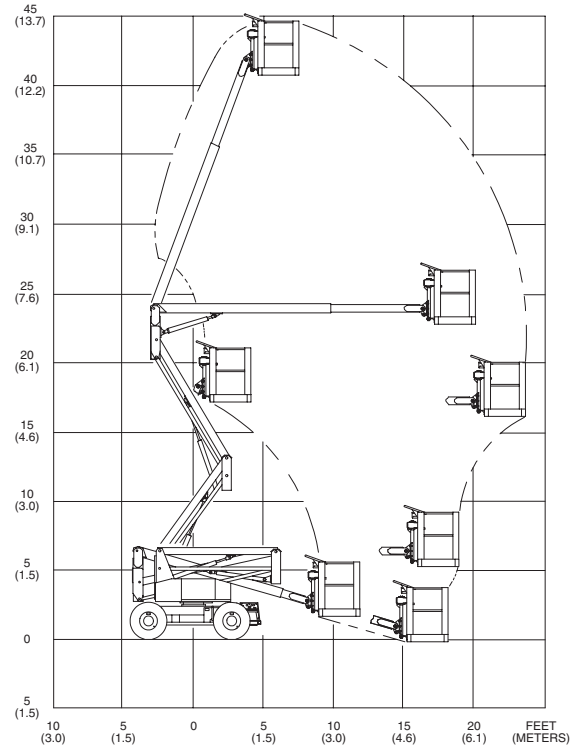
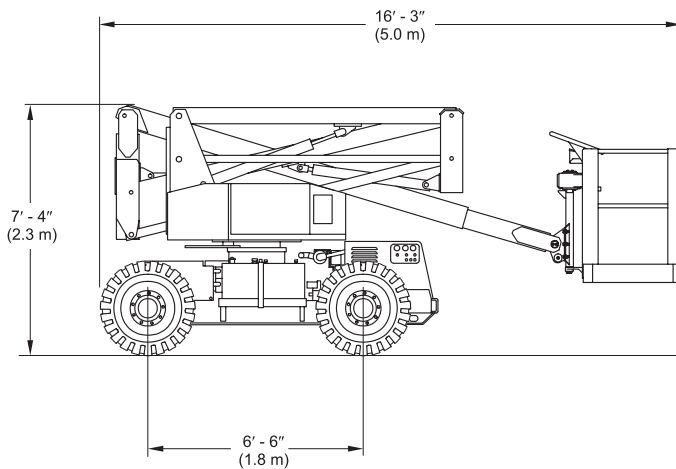
**Articulated  
Boom**

**Snorkel**

[www.snorkelusa.com](http://www.snorkelusa.com)

## Snorkel UNO41

Platform	Machine Dimensions	Performance
Height.....40'10" (12.4 m)	Stowed Length..... 16'3" (5 m)	Power Source.....Gas or Diesel
Size.....30" x 60" (76 cm x 152 cm)	Stowed Height ..... 7'4" (2.3 m)	Fuel Capacity.....20 gal (75.7 L)
Capacity.....500 lbs (227 kg)	Wheelbase..... 6'6" (1.8 m)	Hydraulic Capacity.....25 gal (94.6 L)
Construction.....Aluminum	Width..... 7'2" (2.2 m)	Drive Speed
	Ground Clearance ..... 10" (25 cm)	Elevated.....0.5 mph (0.8 km/h)
	Weight.....12,625 lbs (5,727 kg)	Stowed.....4.5 mph (7.2 km/h)
	Tire Size.. 12" x 16 ½" (30 cm x 42 cm)	Gradeability (Theoretical).....46%
		Horizontal Reach.....23'7 ½" (7.2 m)



### Standard Features

- Variable speed controlled functions
- Four wheel drive
- Proportional drive
- Engine anti-restart
- Tie down lugs
- 180 degree Platform rotation
- 12 volt emergency operated power
- Hydraulic oil level/temp gauges
- Driveable at full height
- Tilt alarm
- 125 volt GFCI AC outlet
- Hour meter
- High engine temp/low oil pressure shut down
- Lifting lugs
- Hydraulic oil level and temp. gauge

### Options

- Platform control box cover
- Flashing light on boom
- Swinging gate
- Driving lights
- Dual Fuel
- Platform work lights
- Spark arrestor muffler
- Cold weather start kit
- AC Generator
- Drive motion alarm
- Foam filled tires
- Tow kit
- Platform – 48" x 30" (122 x 76) Aluminum 500 lb capacity

DANGER: Models described in this brochure are NON-INSULATED and do not provide electrocution protection from contact with or close proximity to energized conductors which is pointed out on decals and placards attached to the machine. Only qualified and trained operators are to be authorized to use and operate a work platform. Aerial work platforms must be elevated only on firm, level surface. Products in this brochure comply with applicable ANSI Standards. This literature is for illustrative purposes only. Consult Operating Maintenance and Parts Manuals for proper procedures. Specifications may vary and are subject to change without notice or obligation.

**Manufacturing Plant**  
 2009 Roseport Road  
 Elwood, Kansas 66024  
 800-255-0317  
 785-989-3000

**Australia**  
 26 Redfern Road  
 Wetheril Park NSW  
 2164 Australia  
 (02) 9725 4000