

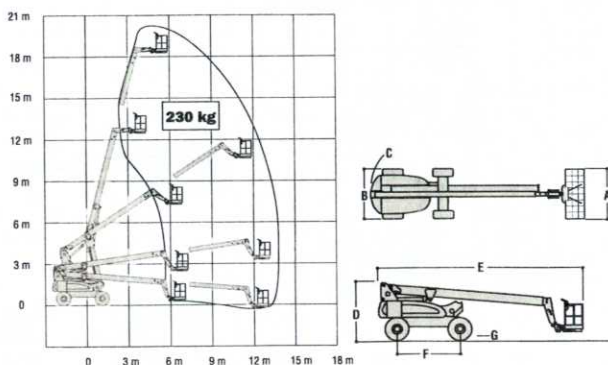
E600 SERIES ELECTRIC BOOM LIFTS

	E600	M600	E600J	M600J	E600JP	M600JP
Platform Height	18.29 m	18.29 m	18.29 m	18.29 m	18.29 m	18.29 m
Horizontal Outreach	13.13 m	13.13 m	13.06 m	13.06 m	13.23 m	13.23 m
Swing (non-continuous)	400°	400°	400°	400°	400°	400°
Platform Capacity - Unrestricted	230 kg	230 kg	230 kg	230 kg	230 kg	230 kg
Platform Rotator (Hydraulic)	180°	180°	180°	180°	180°	180°
Jib - Overall Length	—	—	1.24 m	1.24 m	1.24 m	1.24 m
Jib - Range of articulation	—	—	141° Vertical (+86° / -55°)	141° Vertical (+86° / -55°)	141° Vertical (+86° / -55°)	141° Vertical (+86° / -55°)
JibPLUS™ - Range of Articulation	—	—	—	—	180° Horizontal	180° Horizontal
A. Platform Size	0.76 m x 1.83 m	0.76 m x 1.83 m	0.76 m x 1.83 m	0.76 m x 1.83 m	0.76 m x 1.83 m	0.76 m x 1.83 m
B. Overall Width	2.44 m	2.44 m	2.44 m	2.44 m	2.44 m	2.44 m
C. Tailswing (working condition)	1.22 m	1.22 m	1.22 m	1.22 m	1.22 m	1.22 m
D. Stowed Height	2.57 m	2.57 m	2.57 m	2.57 m	2.57 m	2.57 m
E. Stowed Length	9.42 m	9.42 m	9.37 m	9.37 m	9.91 m	9.91 m
F. Wheelbase	2.74 m	2.74 m	2.74 m	2.74 m	2.74 m	2.74 m
G. Ground Clearance	0.30 m	0.30 m	0.30 m	0.30 m	0.30 m	0.30 m
Gross Vehicle Weight*	6,800 kg	6,800 kg	6,800 kg	6,800 kg	6,900 kg	6,900 kg
Drive Speed	4.8 km/h	4.8 km/h	4.8 km/h	4.8 km/h	4.8 km/h	4.8 km/h
Gradeability	30%	30%	30%	30%	30%	30%
Tyres (pneumatic/non-marking)	36/14LL-22.5	36/14LL-22.5	36/14LL-22.5	36/14LL-22.5	36/14LL-22.5	36/14LL-22.5
Axle Oscillation (optional)	0.20 m	0.20 m	0.20 m	0.20 m	0.20 m	0.20 m
Turning Radius - Inside	1.22 m	1.22 m	1.22 m	1.22 m	1.22 m	1.22 m
Turning Radius - Outside	4.72 m	4.72 m	4.72 m	4.72 m	4.72 m	4.72 m
Electrical System	48V DC	48V DC	48V DC	48V DC	48V DC	48V DC
Batteries	8 x 6V 415 A/hr	8 x 6V 415 A/hr	8 x 6V 415 A/hr	8 x 6V 415 A/hr	8 x 6V 415 A/hr	8 x 6V 415 A/hr
Drive Motors	Dual Electric Traction	Dual Electric Traction	Dual Electric Traction	Dual Electric Traction	Dual Electric Traction	Dual Electric Traction
Brakes	Automatic Spring Applied	Automatic Spring Applied	Automatic Spring Applied	Automatic Spring Applied	Automatic Spring Applied	Automatic Spring Applied
Hydraulic Pump Motor	Perm. Magnet	Perm. Magnet	Perm. Magnet	Perm. Magnet	Perm. Magnet	Perm. Magnet
Hydraulic Pump	Gear Pump	Gear Pump	Gear Pump	Gear Pump	Gear Pump	Gear Pump
Hydraulic Reservoir	55 L	55 L	55 L	55 L	55 L	55 L
Generator Set - Fully Automatic	—	Yanmar Air-cooled 4.5 kW	—	Yanmar Air-cooled 4.5 kW	—	Yanmar Air-cooled 4.5 kW
Generator Fuel Tank	—	50 L	—	50 L	—	50 L

*Certain options or country standards will increase weight.

Specifications may change to meet country standards or with the addition of optional equipment.

JLG MODELS E600 & M600



JLG MODELS E600J, M600J, E600JP & M600JP

